

MM-92

Motor-drive Manipulator

Coarse manipulator with most popular motor-drive system.

This motor-drive coarse manipulator enables remote controlled movement of a pipette into the microscope field of view. The bigger the microscope, the more difficult manual control becomes; remote control is the mainstream alternative. Control is easy, with the joystick right at the operator's hand, and a return mechanism facilitates specimen exchange.



Control Unit



The MM-92B drive unit is an add-on type that is used with an extra control unit of MM-92. Two motor drive operation on both sides is provided in combination with MM-92 and MM-92B.

MM-92 can be placed upright with the use of the control box stand (PS-1).

MM-92

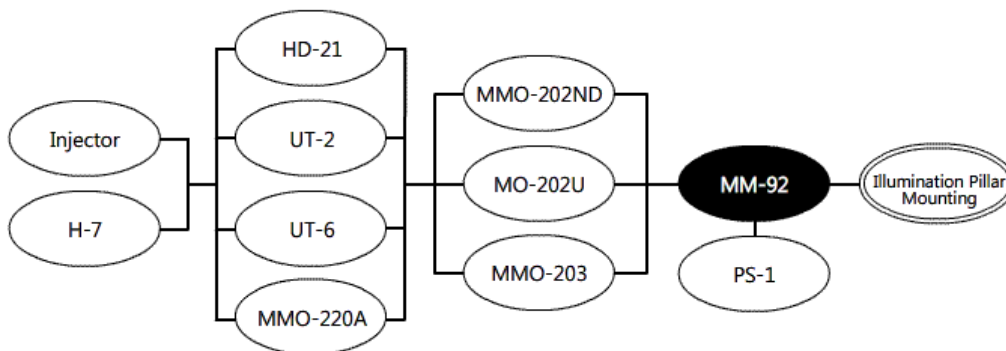
Motor-drive Manipulator

Specification


Accessories included		Power Cord, Hex Wrench
Movement range	Coarse	X22mm, Y22mm, Z22mm
Driving speed		1.4mm/s (with use of high-speed button) Maximum speed 0.7mm/s (with use of speed adjusting knob) Minimum speed 0.1mm/s (with use of speed adjusting knob)
Working voltage		AC100 ~ 240V, 50/60Hz
Power consumption		Approx. 10W
Dimensions/Weight	Control unit	W204 × D135 × H62mm, 1.05kg
	Controller	W70 × D100 × H120mm, 530g, Connecting cable (1.2m)
	Drive unit	W80 × D116 × H146 mm, 600g, Connecting cable (1.2m)


* Complies with Class.1 MDD 93/42/EEC

System Diagram



 refers to the model itself with standard attachments

 refers to attachable main accessories

 refers to types of mounting adaptors

Specifications are subject to change without notice.

Copyright © NARISHIGE Group. All Rights Reserved. 1999-2017